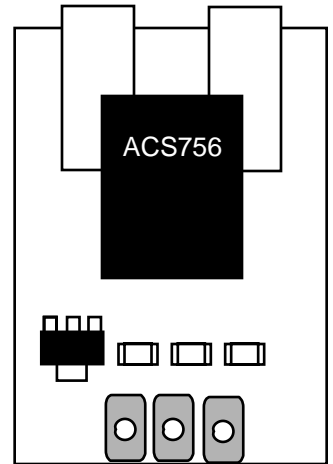


# 50Ah ACS756 Current Sensor Board

## Data Sheet

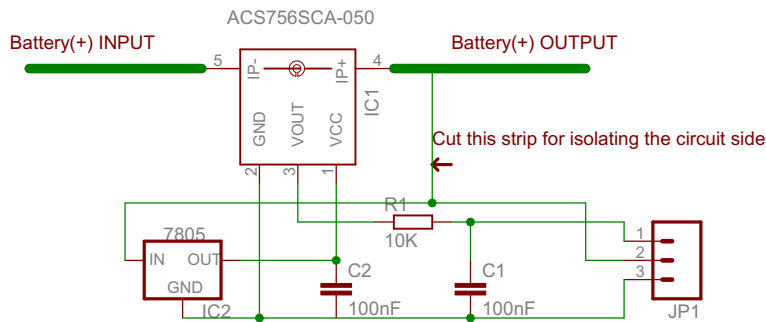
### FEATURES

- Industry leader ACS756 current sensor with radiometric output
- 6.5-18v supply range with internal regulator(LM7805)
- 6 gram only
- You can measure higher voltage circuits with a small strip hack.
- 130 micro ohm resistancy
- 40mV/A output with 2.5v offset value for bidirectional reading



Ground Vout Output(0-5V)

### CIRCUIT SCHEMATIC



- Pin1 - 40mV/A output with 2.5volt offset  
 Pin2 - Vout (or Vin if you cut the strip from the battery)  
 Pin3 - Ground (connect to battery or circuit ground)

