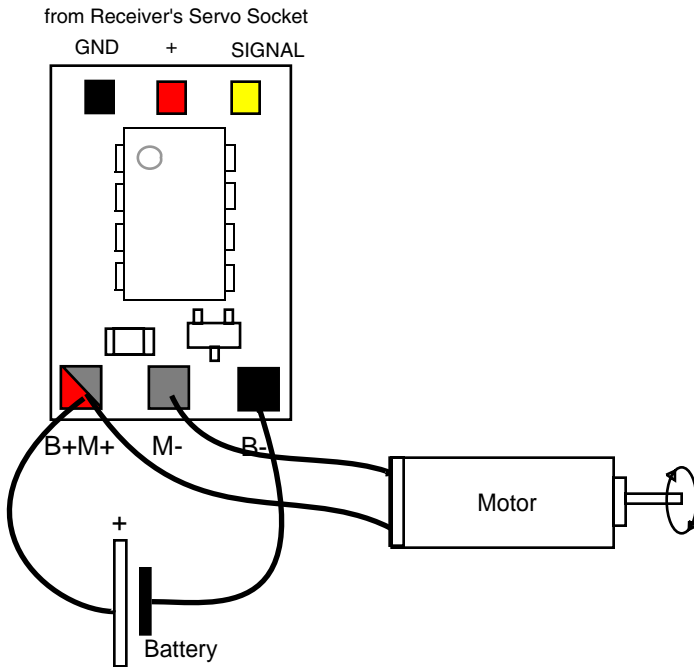


Micro 4A ESC Data Sheet



Size : 10mm X 15 mm

Weight : 0.20 gr

Battery : 2 to 5 V (1 Cell LiPO or 2-4 Cell NiMh/NiCd)

ESC Current: 2Ah constant , 4Ah Max.

Resolution: 28 step

Arming Time: 2 second

Arming Sound: 2 tone with motor vibration

Auto Rearming: 2.5 second after signal lost or voltage drop detection

Low Voltage Treshold: 2 Volt

Suggested Motor Resistance: 3-7 Ohm (Pager Motors or Picooz Main Motors)