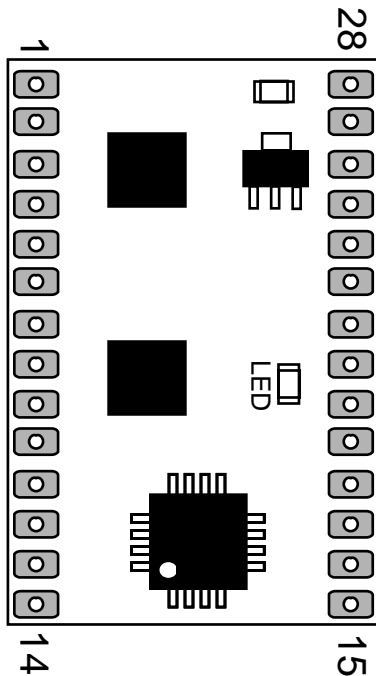


6 AXIS of FREEDOM Analog Output IMU BOARD

Data Sheet



Pin List:

- 1- LPR530A's Non Amplified Y axis Output
- 2- LPR530A's 4x Amplified Y axis Output
- 3- LPR530A's Reference Voltage Output
- 4- LPR530A's 4x Amplified X axis Output
- 5- LPR530A's Non Amplified X axis Output
- 6- LPY530A's Non Amplified Y axis Output
- 7- LPY530A's 4x Amplified Y axis Output
- 8- LPY530A's Reference Voltage Output
- 9- LPY530A's 4x Amplified Z axis Output
- 10- LPY530A's Non Amplified Z axis Output
- 11- MMA7260's Z axis Output
- 12- MMA7260's Y axis Output
- 13- MMA7260's X axis Output
- 14- GROUND (VSS)
- 15- MMA7260's G-Select1 pin
- 16- MMA7260's G-Select2 pin
- 17- NC (Not connected)
- 18- NC (Not connected)
- 19- NC (Not connected)
- 20- NC (Not connected)
- 21- NC (Not connected)
- 22- NC (Not connected)
- 23- NC (Not connected)
- 24- NC (Not connected)
- 25- NC (Not connected)
- 26- NC (Not connected)
- 27- NC (Not connected)
- 28- VCC (5.5-12V regulated)

This board includes 3.3v regulator chip for supplying the sensors. You can supply it with 5.5-12V.

* This PDF file not includes Sensor details,
please download Sensor datasets for detailed information about specifications and outputs.